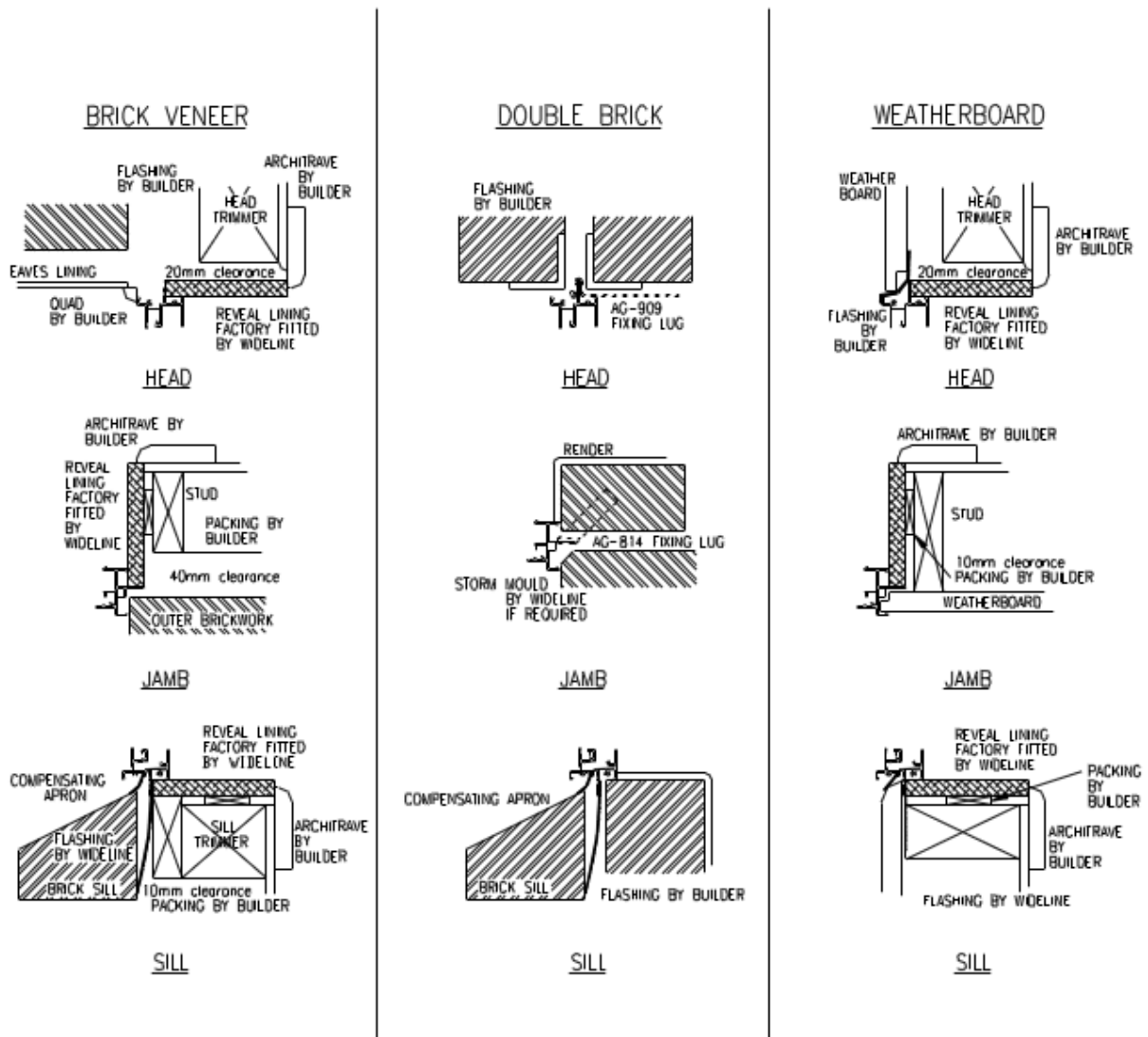


Technical Manual Aluminium Sliding Window

Installation Details



NOTES:

1. ALL STANDARD WINDOWS ARE DELIVERED TO SITE FULLY ASSEMBLED AND READY FOR INSTALLATION.
2. AVAILABLE IN A VARIETY OF FINISHES AND COLOURS WITH THE LATEST DEVELOPMENTS IN PAINTED POLYESTER POWDER COATS.
3. WIDELINE WINDOWS ARE DESIGNED TO SUIT BRICK VENEER, CAVITY BRICK, SINGLE BRICK AND TIMBER FRAME CONSTRUCTION.
4. WIDELINE STRESS THE IMPORTANCE OF BUILDER FLASHING BETWEEN WINDOWS AND THE STRUCTURE.
5. VERTICAL FLASHING OF WINDOWS SHOULD BE USED FOR LAP-CLAD CONSTRUCTION.
6. ADJUSTABLE STORM MOULDS ARE AVAILABLE FOR ALL WINDOWS AND DOORS IN ALL FINISHES FOR FITTING PRIOR TO INSTALLATION.

AVAILABLE REVEAL SIZES:	85	
IN BOTH MERANTI & PINE	100	} CLAD
	110	
	117	
	138	